

## 1.5mm UVC photodiode

### Model: LSGPD-UV1.5

#### Features:

- Blindness to visible light without optical filter
- Wavelength 210-280nm
- High reliability, low dark current
- Top illumination planar PD
- Active diameter 1.5mm
- Hermetic TO46 Can with UV flat-window cap with receptacle



CWFC

#### Applications:

- UV sensors
- Pure UV-C Monitoring,
- Sterilization Lamp Monitoring
- Environmental technology
- medical applications
- industrial sensors
- inspecting and controlling of UV radiation



CWST



CWSC



CWLC



2JKFC



4JKFC

#### Absolute maximum ratings:

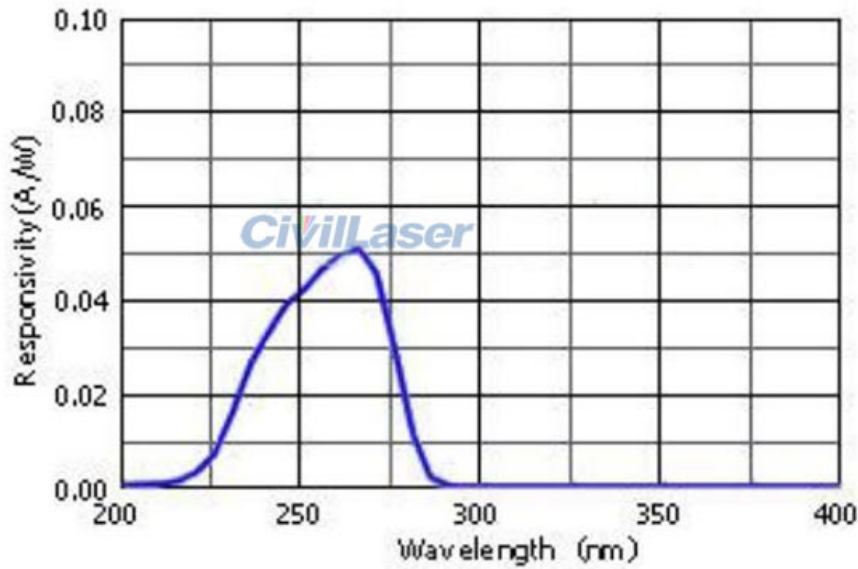
parameter	symbol	value	unit
Operating temperature	Top	-30~+80	°C
Storage temperature	Tstg	-40~+90	°C
Forward current	I <sub>f</sub>	1	mA
Reverse voltage	V <sub>r</sub>	2	V
Soldering temperature(time)	T <sub>s</sub> (10s)	260	°C

### Electrical and optical characteristics:(T=25°C)

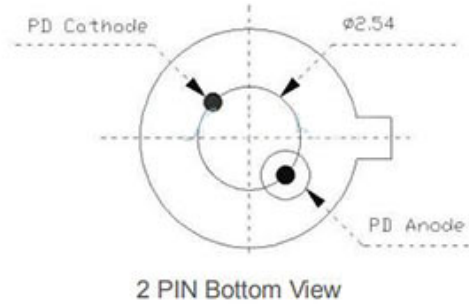
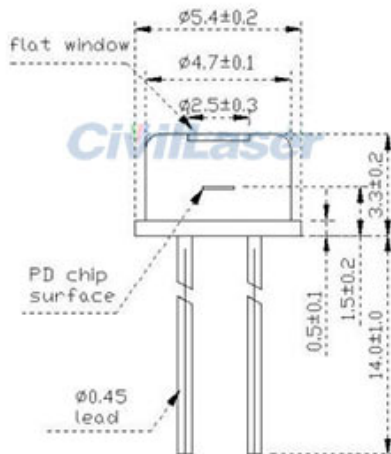
parameter	symbol	unit	Value (typ.)
Active diameter		mm	1.5x1.5
Spectral range	$\lambda$	nm	210-280(10% R <sub>p</sub> )
Responsivity	$R_e (V_R=0V, \lambda=254nm)$	mA/mW	0.05
Dark current	$I_D (V_R=0.5V)$	pA	10
Reverse Breakdown voltage	$V_{BR} (I_R=10\mu A)$	V	3
Junction capacitance	$C_j (f=1MHz, V_R=0V)$	pF	60
Saturated Optical Power	$P_s (V_R=0.5V)$	mW	8
Operating voltage	$V_R$	V	0-0.5
package	Hermetic TO46 Can with UV flat-window cap or with receptacle		

**NOTICE:** The above product specifications are subject to change without notice.

### The typical Responsivity curve



## The package and Lead



## Order information

LSGPD-UVC1.5-2P-X

X=0	TO-46 Can with UV flat window cap
X=CWFC	TO-46 Can with replaceable receptacle with FC connector
X=CWSC	TO-46 Can with replaceable receptacle with SC connector
X=CWLC	TO-46 Can with replaceable receptacle with LC connector
X=CWST	TO-46 Can with replaceable receptacle with ST connector
X=2JKFC	TO-46 Can with fixed receptacle with FC connector and 2 pieces of fix holes
X=4JKFC	TO-46 Can with fixed receptacle with FC connector and 4 pieces of fix holes
X=Other	By customer's request

## The cautions

- 1: The above product specifications are subject to change without notice.
- 2: The suitable ESD protection is required in storage, transportation and using